

auto electrical parts

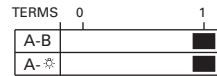
Technical Information Sheet

Part No. 0-531-10

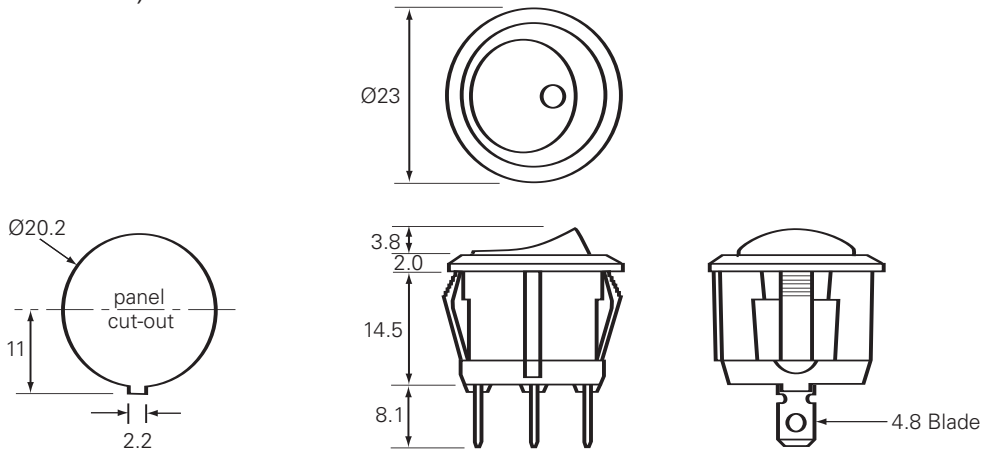
On/off, single pole switch, plastic rocker, 12/24 volt LED indicator. 4.8mm blade terminals. Snap fits into 20mm diameter panel hole. 10 amps at 12 volts dc rating.

Additional Information

- Terminal 1 - Supply +ve
- Terminal 2 - Switched load
- Terminal 3 - Ground -ve



Technical Drawing (not to scale)



Specification

Type	Single pole 2 position on/off rocker switch with LED indication
DC current rating @ 12 volts	10 amps
LED	Amber
LED current @ 12 volts	7mA
Terminals	4.8mm lucar blade
Temperature range	-20° to 85°C
Contact resistance	50mΩ
Electric strength	1500vac (1 min)
Insulation resistance	500vdc 100MΩ
Panel cut-out	20mm
Weight	5g
Dimensions	$\varnothing 23 \times h 26.5$ mm (including lever and tabs)

The information contained in this document is correct to the best of our knowledge at the time of printing. However, specifications may change at any time without notice.

Gordon Equipments Limited

Durite Works
Valley Road
Dovercourt
Essex CO12 4RX
England



Tel: +44 (0)1255 555200
Fax: +44 (0)1255 555222
E-mail: sales@durite.co.uk
Web: www.durite.co.uk

Registered in England at address shown No. 373113
The words 'Gordon', 'Durite', 'Nolten' and 'Acfil' are registered trade marks